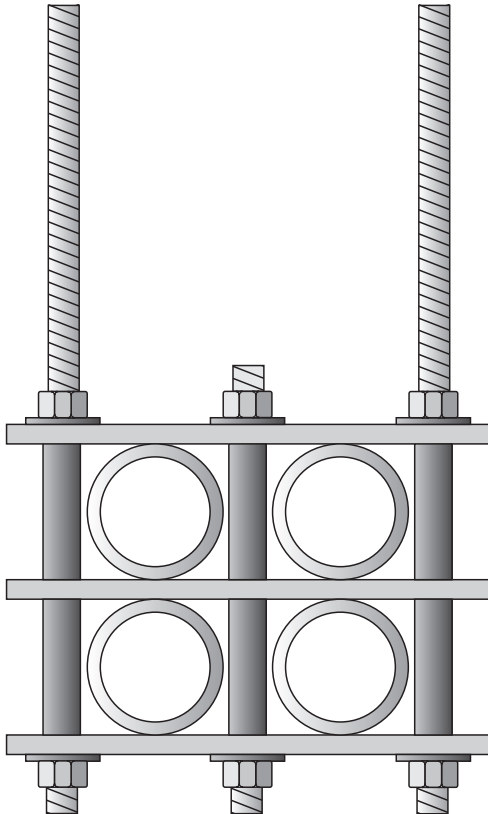


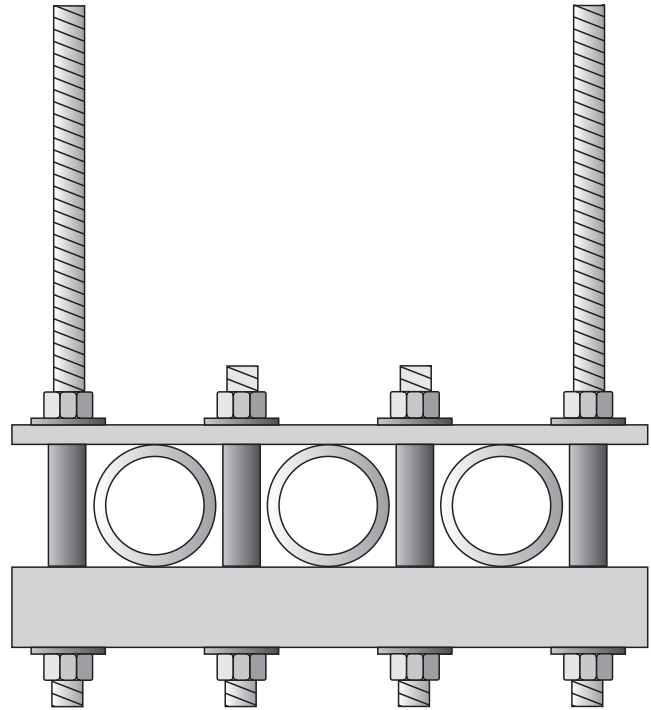
# CONDUIT HANGERS

## TYPICAL INTERMEDIATE HANGERS

Standard Intermediate Hangers



Intermediate Hangers w/Square Tube\*



Includes:  $\frac{3}{4}$ " Hot Dipped Galvanized Rods, Hex Nuts & Flat Washers, 2" x  $\frac{1}{2}$ " FRP Flat Bar, 1" FRP Round Tube, and if specified \*2" x 2" x  $\frac{1}{4}$ " FRP Square Tube.

**\*Square Tube used for increased strength and sway resistance.**

The illustrated hangers typically used with 4", 5", & 6" OD Conduit. Number of rows and columns can vary depending on the requirement for any particular installation.

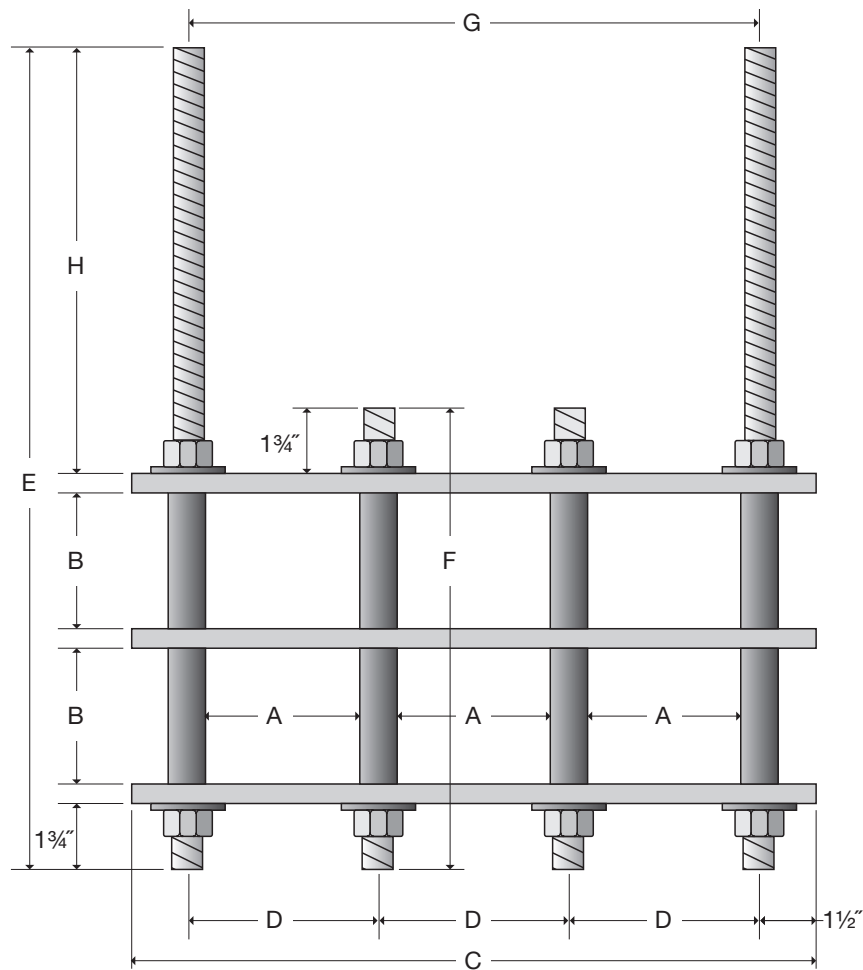
Available hardware finishes: electro-galvanized, hot dipped galvanized, 304 and 316 stainless steel.

**Use illustration on reverse side to specify desired dimensions, rows and columns. →**

**GLAS MESH COMPANY®**  
P.O. Box 1718  
West Chester, PA 19380  
610-696-9220 • Fax 610-344-7519  
[www.glasmesh.com](http://www.glasmesh.com)  
Printed in U.S.A.

**glas**  
**mesh**  
**co.**

## Use The Illustration Below To Indicate Desired Dimensions



Fill in desired dimensions, and other information, in red.

Quantity \_\_\_\_\_

Finish \_\_\_\_\_

A \_\_\_\_\_

Columns High \_\_\_\_\_

B \_\_\_\_\_

Rows Wide \_\_\_\_\_

C \_\_\_\_\_

D \_\_\_\_\_

E \_\_\_\_\_

F \_\_\_\_\_

G \_\_\_\_\_

H \_\_\_\_\_

**GLAS MESH COMPANY®**  
 P.O. Box 1718  
 West Chester, PA 19380  
 610-696-9220 • Fax 610-344-7519  
[www.glasmesh.com](http://www.glasmesh.com)  
 Printed in U.S.A.

