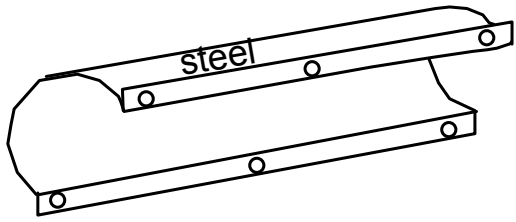
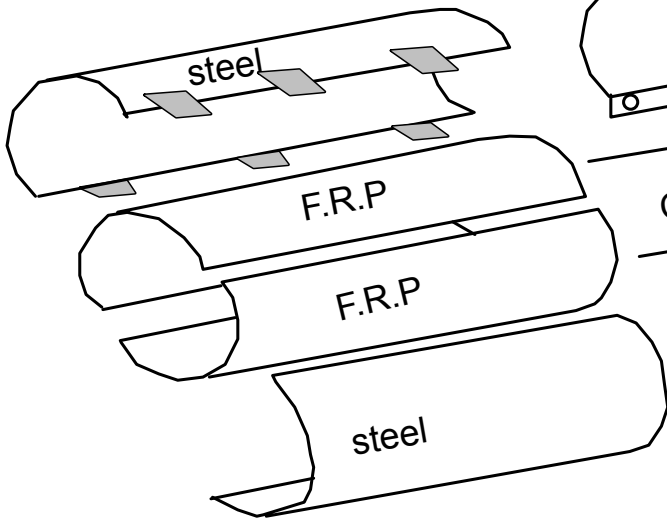
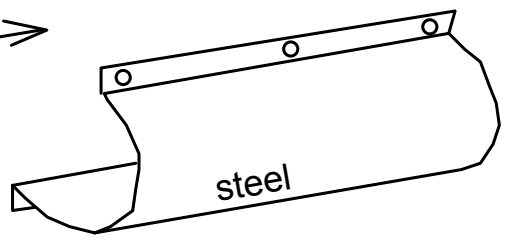


Spot Welded

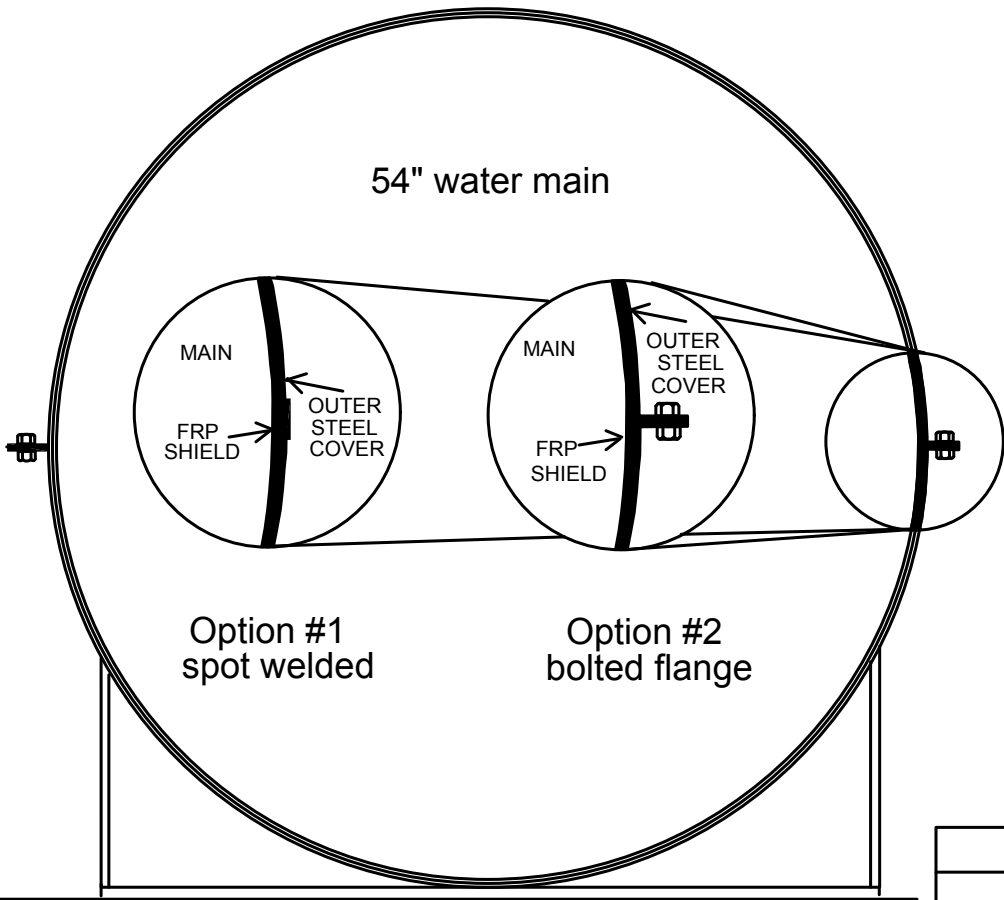


OR



Bolted Flange

54" water main



Option #1
spot welded

Option #2
bolted flange

GLAS MESH	
54" FRP SADDLE	
DATE	SCALE NONE
DRAWN BY CED	DWG NO. SADSUP1a